

*If you have questions or comments, contact us.
Si tiene dudas o comentarios, contáctenos.*

1-888-394-3392



Leave us a review!
¡Déjanos una reseña!

**INSTRUCTION MANUAL
MANUAL DE INSTRUCCIONES**

DEWALT®

DXAESL30

**3000 Lumen Lithium LED Spotlight
Reflector LED de Litio de 3000 lúmenes**



RD051926



⚠ WARNING: Read all instructions before operating product. Failure to follow all instructions listed below may result in electric shock, fire and/or serious injury.

⚠ WARNING: This product or its power cord contains lead, a chemical known to the State of California to cause cancer and birth defect or other reproductive harm. Wash hands after handling. For more information go to www.P65Warnings.ca.gov



⚠ ADVERTENCIA: Lea todas las instrucciones antes de utilizar el producto. No seguir todas las instrucciones que aparecen a continuación pueden provocar descargas eléctricas, incendios y/o lesiones graves.

⚠ ADVERTENCIA: Este producto o su cable de alimentación contiene plomo, una sustancia química reconocida por el Estado de California como causante de cáncer, defectos de nacimiento u otros problemas reproductivos. Lávese las manos después de utilizarlo. Para más información, visite www.P65Warnings.ca.gov

Definitions: Safety Guidelines

The definitions below describe the level of severity for each signal word. Please read the manual and pay attention to these symbols.

⚠ DANGER: Indicates an imminently hazardous situation which, if not avoided, **will** result in **death or serious injury**.

⚠ WARNING: Indicates a potentially hazardous situation which, if not avoided, **could** result in **death or serious injury**.

⚠ CAUTION: Indicates a potentially hazardous situation which, if not avoided, **may** result in **injury**.

NOTICE: Indicates a practice **not related to personal injury** which, if not avoided, **may** result in **property damage**.

Read and understand all warnings and operating instructions before using any tool or equipment.

IF YOU HAVE ANY QUESTIONS OR COMMENTS ABOUT THIS DEWALT TOOL, CALL US TOLL FREE AT: **1-888-394-3392**.

LITHIUM LED SPOTLIGHT

The DXAESL30 3000 Lumen Lithium LED Spotlight is a DEWALT spotlight that features USB-C charging/power port.

Important Safety Instructions

1. Keep these instructions.
2. Heed all warnings.
3. Follow all instructions.
4. Avoid dangerous environments. Don't use this unit in damp or wet locations; or in the rain or snow.
5. Clean only with a dry cloth.

6. Keep children away from the work area. Keep this unit away from children. This is not a toy!
7. Store indoors. When not in use, this unit should be stored indoors in a dry and high or locked-up place – out of the reach of children.
8. Stay alert. Use common sense. Do not operate this equipment when you are tired or impaired.
9. Only use attachments/accessories specified by the manufacturer. The use of any accessory or attachment not recommended for use with this appliance could be hazardous.
10. Use only on a flat, level surface. If a cart is used, use caution when moving the cart/apparatus combination to avoid injury from tip-over.
11. To reduce risk of electric shock, disconnect the unit from any power source before attempting cleaning. Turning off controls without disconnecting will not reduce this risk.
12. Check for damaged parts. Do not use if damaged in any way. Do not disassemble the unit. Opening the unit may result in a risk of electric shock or fire, and will void warranty.
13. Unit shall not be exposed to dripping or splashing, and no objects filled with liquids shall be placed on the unit.
14. Do not operate this unit near flammable liquids or in gaseous or explosive atmospheres.



This device complies with part 15 of the FCC rules. Operation is subject to the following two conditions: (1) this device may not cause harmful interference, and (2) this device must accept any interference received, including interference that may cause undesired operation.

NOTE: This equipment has been tested and found to comply with the limits for a Class B digital device, pursuant to Part 15 of the FCC Rules. These limits are designed to provide reasonable protection against harmful interference in a residential installation. This equipment

generates, uses and can radiate radio frequency energy and, if not installed and used in accordance with the instructions, may cause harmful interference to radio communications. However, there is no guarantee that interference will not occur in a particular installation. If this equipment does cause harmful interference to radio or television reception, which can be determined by turning the equipment off and on, the user is encouraged to try to correct the interference by one or more of the following measures:

- Reorient or relocate the receiving antenna.
- Increase the separation between the equipment and the receiver.
- Connect the equipment into an outlet on a circuit different from that to which the receiver is connected.
- Consult the dealer or an experienced radio/TV technician for help.

NOTICE: Per FCC Part 15, changes or modifications to this equipment not expressly approved by DEWALT could void your authority to operate this equipment.

Read all Instructions

GENERAL SAFETY WARNINGS AND INSTRUCTIONS

⚠ WARNING – risk of fire, electric shock, burst hazard, or injury to persons: when using electrical appliances, basic precautions should always be followed, including the following:

- LED gets HOT quickly!
- Do not touch the LED at any time when operating.
- Only contact trigger when turning on.
- Do not touch hot lens or enclosure.
- Do not remain in light if skin feels warm.

- Do not operate the spotlight with a missing or damaged lens or enclosure.

⚠ WARNING – WHEN USING ELECTRICAL APPLIANCES, basic precautions should always be followed, including the following:

- The spotlight and the supplied USB charging cable are not toys and cannot be played with as toys. To reduce the risk of injury, close supervision is necessary when these units are used near children.

⚠ WARNING – TO REDUCE THE RISK OF ELECTRIC SHOCK:

- Do not put the spotlight in water or other liquid. Do not place or store this light where it can fall or be pulled into water or become wet.
- Charge indoors only. Do not expose charging cable to water or any other liquid.
- Do not clean this appliance with a water spray or the like.
- Use only the charging cable supplied by the manufacturer to charge and recharge.

⚠ WARNING – FIRE HAZARD: Never contact combustible material to the lens or heat sink.

⚠ CAUTION: TO REDUCE THE RISK OF INJURY OR PROPERTY DAMAGE:

- All lights give off heat:
 - Do not touch lens while operating.
 - Keep combustibles away from spotlight lens. Extreme heat can cause fires.
 - Never place the light face down on any surface when lit, charging or not in use. Never store the light face down on any surface.

SPECIFIC SAFETY INSTRUCTIONS FOR LITHIUM BATTERIES

⚠ WARNING – To reduce the risk of fire, electric shock, burst hazard, or injury to persons or property: Lithium batteries are small, compact and ideal for providing long-lasting power to this unit. However, they must be used and charged properly. Improper use can result in serious injury, fire, or death.

- Lithium batteries can explode in the presence of a source of ignition. Do not use the product in the presence of an open flame.
- Do not place this lithium battery powered unit in fire or apply heat to it.
- Do not subject this lithium battery powered unit to strong impacts or shocks. The battery in this unit contains safety and protection devices which, if damaged, may cause the battery to generate heat, rupture or ignite.
- Do not expose this lithium battery powered unit to water or salt water, or allow the battery to get wet.
- Avoid storing this lithium battery powered unit in the basement, bathroom or other areas of the house that are or may become wet or humid or where moisture may concentrate.
- Do not leave this lithium battery powered unit in direct sunlight, or use or store the unit inside cars in hot weather. Doing so may cause the battery to generate heat, rupture, or ignite. Using the battery in this manner may also result in a loss of performance and a shortened life expectancy.
- Never charge this unit near heat or flammable objects.
- **NEVER THROW WATER ON A BURNING LITHIUM BATTERY!** If a lithium battery does catch on fire, it will burn even more violently if it comes in contact with water or even moisture in the air. A fire extinguisher must be used.

BATTERY CHARGING AND CAPACITY

This unit is delivered in a partially charged state – you must fully charge it before using it for the first time.

When stored in room temperature with a full charge, lithium batteries will begin to discharge from the time they are manufactured, even when unused. Deep discharges also decrease their capacity.

Battery life can be extended by the following:

- Charge battery to full capacity before storage.
- Store this unit at the temperature ranges of 5°C and 20°C (41°F and 68°F).
- Never fully discharge the battery.
- Charge after each use.
- Always charge at least once every 3-6 months if not in frequent use to prevent over-discharge.

Transportation of Lithium Batteries

- Always check all applicable local, national, and international regulations before transporting a unit containing a lithium battery.
- Transporting an end-of-life, damaged, or recalled battery may, in certain cases, be specifically limited or prohibited.

INSTRUCTIONS PERTAINING TO THE USB PORT

IMPORTANT: Some household USB-powered electronics will not operate with the USB Port provided with this unit.

Check the manual of the corresponding electronic devices (including phones, tablets, etc.) to confirm that they can be used with this type of USB port.

- **The USB ports do not support data communication.** They only provide power to an external USB powered device, as follows:
 - Do not use this unit to operate appliances that require more than PD 20W.
 - Make sure the rating of equipment plugged into the USB Port does not exceed the maximum rating stated.

- Do not attach USB hubs allowing connection of multiple personal electronic devices to the USB Port.
- Do not insert foreign objects into the USB Port.

SAVE THESE INSTRUCTIONS FOR FUTURE USE

INTRODUCTION

Congratulations on purchasing your new Lithium LED Spotlight. Read this Instruction Manual and follow the instructions carefully before using this unit.

FEATURES

1. Bezel
2. Heat Sink (located under the Swing-up Stand)
3. Swing-up Stand
4. On/Off Trigger
5. Pistol Grip Handle
6. USB Port
7. Battery/Charge Status LED Indicator (around the USB Port)
8. USB Charging Cable

Features



Reading The Battery/Charge Status LED Indicator

The Battery/Charge Status LED Indicator is a translucent ring around the USB Port at the back of the unit. It lights or flashes in three colors to indicate the following:

When Charging:

Blue: Battery is in a fully charged state.

Blue (flashing): Battery is in a high partially charged state.

Purple (flashing): Battery is in a low partially charged state.

Red (flashing): Battery needs to be recharged.

Red (flashing rapidly): The battery of the unit is overheated (due to extensive use or recharging) or too cold (the ambient temperature has dropped below 0°C). The charging process will stop at this stage and will automatically resume after a cool down or warm up period.

When Operating (once the light has been turned on or the USB Powered device plugged into the USB Port):

Blue: Battery is operating at full voltage.

Purple: Battery is operating at partial voltage.

Red: Battery is operating at low voltage and should be recharged or the built-in low voltage protection will be activated and the unit will automatically shut down shortly.

Red (flashing rapidly): The battery of the unit is overheated (due to extensive use or recharging), or is too cold (the ambient temperature has dropped below -20°C). To avoid damage, the unit will be shut off at this stage and allowed to either cool down or warm up to normal operating temperatures before resuming use.

Charging / Recharging

This unit is shipped in a partially charged state. Charge the unit after purchase, before first use, and after each subsequent use until the Battery/Charge Status LED Indicator lights blue.

The unit can operate at low setting while charging.

IMPORTANT:

1. When the unit is not in use, we recommend that the battery is charged at least every 3 to 6 months.
2. Recharging the battery after each use will prolong battery life; frequent heavy discharges between recharges and/or overcharging will reduce battery life.
3. Make sure all other unit functions are turned off during recharging, as this can slow the recharging process.

⚠ WARNING – Only charge product using a Listed Class 2 USB power adapter that is compliant with applicable country regulations and international/regional safety standards. Using adapters that do not meet applicable safety standards could result in injury.

⚠ CAUTION – TO REDUCE THE RISK OF INJURY OR PROPERTY DAMAGE:

- Never place the light face down on any surface when charging.
- Failure to keep the battery charged will cause permanent damage and result in poor performance.

CHARGING/RECHARGING USING THE USB CHARGING CABLE AND A DEVICE WITH USB POWER PORT (NOT SUPPLIED)

1. Make sure the On/Off Trigger is turned off.
2. Insert one end of the USB Charging Cable into an external device's functional USB Power Port.

3. Lift up the protective cover of the USB Port (refer to the “Features” section to locate). Insert the other end of the USB Charging Cable into the unit’s USB Port. The Battery/Charge Status LED Indicator will light or flash in one of three colors (as described in the “Reading the Battery/Charge Status LED Indicator” section) to indicate the charging status.

4. Charge until the Battery/Charge Status LED Indicator lights blue.

5. When charging is complete, disconnect the USB Charging Cable from the device’s USB Port and the light. Store the cable in a safe place.

Operating the Spotlight

IMPORTANT: If the spotlight’s battery voltage is nearly low, the unit will switch automatically to Low light mode even if High light mode has been selected.

If the spotlight’s battery voltage is low, the built-in low voltage protection will activate after a short period of operation, then the unit will automatically shut down. Recharge the battery before continuing use. The On/Off Trigger turns the unit on and off, and is also used to choose either high/low brightness setting or flash mode.

Disconnect the charging cable, then select the light mode as follows:

- Press the On/Off trigger once to use the spotlight in its low (dimnest) setting.
- Press the On/Off trigger a second time to use the spotlight in its high (brightest) setting.
- Press the On/Off trigger a third time to use the spotlight in flash mode.
- Press the On/Off trigger a fourth time to turn the spotlight off.

OR

- Press the On/Off trigger to use the spotlight in its low setting or high setting.
- Press the On/Off trigger again after 5 seconds to turn the unit off.

Note: The Battery/Charge Status LED Indicator will light in one of three colors (as described in the “Reading the Battery/Charge Status LED Indicator” section) to indicate the battery status.

USING THE SWING-UP STAND

Lift the Swing-up Stand up, invert the unit and set it upon a flat, stable surface for hands-free operation.

Operating the USB Port

IMPORTANT: The light’s USB Port provides up to PD 20W output power.

1. Disconnect the Charging Cable and make sure the light is turned off.
2. Connect a USB-C powered device to the unit’s USB Port.
3. The Battery/Charge Status LED Indicator will light in one of three colors (as described in the “Reading the Battery/Charge Status LED Indicator” section) to indicate the battery status.
4. Operate the USB powered device normally.
5. Unplug the USB device from the unit’s USB Port on the unit. The unit will turn off automatically.

USB PORT FAULT CONDITIONS

When the USB Port is in use, the unit will monitor for the following fault conditions:

- If a Low Battery Voltage Fault occurs, the USB Port will automatically shut down.
- If an Overload Fault or a Short-circuit occurs, the USB Port will automatically shut down immediately.

- If the battery of the unit overheats or is too cold, the USB Port will automatically shut down.

In any of these cases, disconnect the USB-powered device immediately.

- Make sure the unit does not need to be recharged.
- Allow the unit to cool down for several minutes before attempting to use the USB Port again.
- If a fault occurs again, make sure that the draw of the USB device plugged into the USB Port does not exceed the maximum rating.
- If an individual USB device is within specifications and the fault occurs, have the USB device checked for malfunction and do not continue to use it with this USB Port.

Notes: This unit's USB Port does not support data communication. It only provides power to an external USB-powered device.

Some USB-powered household electronics may not operate with this unit's USB Port. Check the manual of the corresponding electronic device (including a cell phone, tablet, etc.) to confirm that it can be used with this unit's type of USB Port.

Care and Maintenance

⚠ WARNING –To reduce the risk of injury, turn the unit off and disconnect it from any power source before installing and removing accessories, before adjusting. An accidental start-up can cause injury. Never submerge this unit in water. Dirt and grease may be removed from the exterior of the unit using a cloth or soft non-metallic brush. Never let any liquid get inside the unit; never immerse any part of the unit into a liquid.

⚠ WARNING – There are no user-replaceable parts. Periodically inspect the condition of adapters, connectors and wires. Do not use if damaged in any way.

THE INTERNAL BATTERY

All batteries lose energy from self-discharge over time and more rapidly at higher temperatures. When the unit is not in use, we recommend that the battery is charged at least every 3-6 months.

BATTERY REPLACEMENT

The battery should last the service life of the unit. Service life is dependent on a number of factors including but not limited to the number of recharge cycles, and proper care and maintenance of the battery by the end user. Contact manufacturer for any information you may need.

SAFE BATTERY DISPOSAL



Contains a lithium battery, which must be disposed of properly. Recycling is required. Failure to comply with local, state and federal regulations can result in fines, or imprisonment.

Please recycle.

⚠ WARNING – *To reduce the risk of serious injury or property damage:*

- *Do not dispose of the battery in fire as this may result in an explosion.*
- *Before disposing of the battery, protect exposed terminals with heavy-duty electrical tape to prevent shorting (shorting can result in injury or fire).*
- *Do not expose battery to fire or intense heat as it may explode.*

Troubleshooting

Problem	Possible Solution
Unit will not charge	Check that all the unit functions are turned off.
	Check that the USB Charging Cable is properly connected to the charging source and to the unit.
	Check the connection to the power source. Make sure there is good contact.
	Confirm that there is a functioning power source.
	The unit may have shut down to protect the battery from overheating after a long period of operation or charging or being too cold (the ambient temperature has dropped below 0°C). Disconnect the USB Charging Cable from the unit and power source. Allow the unit to cool down or warm up before resuming charging.
The Spotlight will not operate	Make sure the On/Off Trigger has been pressed to turn the Spotlight on.
	The internal battery may be completely discharged. Charge the unit following the directions given in this manual.
	If the ambient temperature is too hot or too cold the Spotlight will not operate.

Problem	Possible Solution
The USB Port will not operate	Make sure a USB-C powered device is connected to the unit's USB Port.
	A fault condition exists in the USB Port. Refer to the USB Port Fault Conditions in the "OPERATING THE USB PORT" section to remedy any faults.
	Make sure the USB device plugged into the USB Port does not exceed maximum rating.
	The battery of the unit may be overheated or may be too cold. Allow the unit to cool down or warm up before resuming operation.
	Some USB-powered household electronics will not operate with this USB charging/power port. Check the manual of the corresponding electronic device to confirm that it can be used with this unit's type of USB charging/power port.
	The internal battery may be completely discharged. Charge the unit following the directions given in this manual.

Accessories

⚠ WARNING: *Since accessories other than those offered by DeWALT have not been tested with this product, the use of such accessories with this unit could be hazardous. To reduce the risk of injury, only DeWALT recommended accessories should be used with this product. If you need assistance regarding accessories, please contact the manufacturer at 1-888-394-3392 or CustomerService@dewalt12volt.com.*

Technical Assistance

For Customer Service or Technical Assistance, contact the manufacturer at 1-888-394-3392 or CustomerService@dewalt12volt.com.

One-Year Limited Manufacturer's Warranty

The manufacturer, Baccus Global LLC, warrants this product against defects in materials and workmanship for a period of ONE (1) YEAR commencing from the date of retail purchase by the original end-user purchaser or from the date of delivery of the good, whichever occurs later ("Warranty Period").

If there is a defect and a valid claim is received by the manufacturer within the Warranty Period, the defective product can be replaced in the following ways: (1) Return the product to the manufacturer for replacement. Proof of purchase may be required by manufacturer. (2) Return the product to the retailer where product was purchased for an exchange (provided that the store is a participating retailer). Returns to retailer should be made within the time period of the retailer's return policy for exchanges only. Proof of purchase may be required. Please check with the retailer for their specific return policy regarding returns that are beyond the time set for exchanges.

This manufacturer's warranty does not apply to accessories, bulbs, fuses and batteries; defects resulting from normal wear and tear, accidents; damages sustained during shipping; alterations; unauthorized use; neglect, misuse, abuse; and failure to follow instructions for care and maintenance for the product.

This manufacturer's warranty gives you, the original retail purchaser, specific legal rights and you may have other rights which vary from state to state or province to province. This product is not intended for commercial use. To register your product with the manufacturer, please visit www.BaccusGlobal.com.

The photos in this manual may differ from the actual unit.

Specifications

Bulb:	LED
Battery:	Lithium, 7.4V DC
Input:	5VDC 3A / 9VDC 2.2A / 12VDC 1.66A / 15VDC 1.33A (PD 20W) MAX.
USB Output:	5VDC 3A / 9VDC 2.2A / 12VDC 1.66A / 15VDC 1.33A (PD 20W) MAX.

Imported by Baccus Global, LLC,
225 NE Mizner Blvd., Suite 301
Boca Raton, FL 33432

www.dewalt12volt.com 1-888-394-3392
Made in Vietnam

Copyright © 2026 Baccus Global, LLC.
DeWALT® and the DeWALT Logo are trademarks of the DeWALT Industrial Tool Co., or an affiliate thereof and are used under license. The yellow/black color scheme is a trademark for DeWALT power tools & accessories.

RD051926

Definiciones: Normas de seguridad

Las siguientes definiciones describen el nivel de gravedad de cada palabra de señal. Lea el manual y preste atención a estos símbolos.

▲ **PELIGRO:** Indica una situación de peligro inminente que, si no se evita, provocará **la muerte o lesiones graves**.

▲ **ADVERTENCIA:** Indica una situación de peligro potencial que, si no se evita, **podría provocar la muerte o lesiones graves**.

▲ **PRECAUCIÓN:** Indica una situación de peligro potencial que, si no se evita, **posiblemente** provocaría **lesiones**.

PRECAUCIÓN: Se refiere a una práctica **no relacionada a lesiones corporales** que de no evitarse **puede** resultar en **daños a la propiedad**.

Lea y comprenda todas las advertencias e instrucciones de funcionamiento antes de utilizar cualquier herramienta o equipo.

SI TIENE ALGUNA DUDA O ALGÚN COMENTARIO SOBRE ÉSTA HERRAMIENTA DEWALT, LLÁMENOS AL NÚMERO GRATUITO: **1-888-394-3392**.

REFLECTOR LED DE LITIO

El modelo DXAESL30 es un reflector LED de litio de 3000 lúmenes DEWALT que incluye un puerto USB-C para carga y alimentación.

Instrucciones Importantes de Seguridad

1. Conserve estas instrucciones.
2. Prestar atención a las advertencias.

3. Seguir todas las instrucciones.
4. Evitar entornos peligrosos. No utilice esta unidad en lugares húmedos o mojados; o bajo la lluvia o la nieve.
5. Limpiar solo con un paño seco.
6. Mantener a los niños lejos del área de trabajar. Mantener esta unidad lejos de los niños. ¡Esto no es un juguete!
7. Almacenar a cubierto. Cuando no se use, esta unidad debe ser almacenada dentro de un lugar seco y alto o cerrable, afuera del alcance de los niños.
8. Permanecer alerta. Usar el sentido común. No opere este equipo cuando usted esté cansado o incapacitado.
9. Usar solo accesorios/suplementos especificados por el fabricante. Usar cualquier accesorio o suplemento no recomendado para este aparato podría ser peligroso.
10. Usar únicamente sobre una superficie plana y nivelada. Si se utiliza una carretilla, hay que tener cuidado al mover la combinación aparato + carretilla para evitar una lesión por volcadura.
11. Para reducir el riesgo de choque eléctrico, desconecte la unidad de cualquier fuente de poder antes intentar realizar tareas de mantenimiento o limpieza. Apagar los controles sin desconectar la unidad no reducirá este riesgo.
12. Revisar partes dañadas. No utilice esta unidad si está dañada de alguna manera. Se desmontar la unidad. Abrir la unidad puede resultar en riesgo de choque eléctrico o fuego, y anulará la garantía.
13. No exponer la unidad a goteo o salpicadura y no colocar sobre la unidad objetos llenos de líquidos.
14. No hacer funcionar esta unidad cerca de líquidos inflamables o en ambientes con gas o atmósferas explosivas.



Este dispositivo cumple con la parte 15 de las normas de la FCC. Su funcionamiento está sujeto a las siguientes dos condiciones: (1)

este dispositivo no debe causar interferencias perjudiciales, y (2) este dispositivo debe aceptar cualquier interferencia recibida, incluidas aquellas que puedan causar un funcionamiento no deseado.

NOTA: Este equipo ha sido probado y cumple con los límites para un dispositivo digital de Clase B, de conformidad a Parte 15 de las Reglas de la FCC. Estos límites están diseñados para proporcionar una protección razonable contra interferencias dañinas en una instalación residencial. Este equipo genera, usa y puede irradiar energía de radiofrecuencia y, si no se instala y usa de acuerdo con las instrucciones, puede causar interferencia dañina a las comunicaciones. Sin embargo, no hay garantía de que la interferencia no ocurra en una instalación particular. Si este equipo causa interferencia dañina a la recepción de radio o televisión, lo cual puede ser determinado encendiendo y apagando el equipo, se le sugiere al usuario intentar corregir la interferencia por medio de una o más de las siguientes medidas:

- Reorientar o reubicar la antena receptora.
- Aumentar la separación entre el equipo y el receptor.
- Conectar el equipo a una toma de corriente de un circuito diferente al que está conectado el receptor.
- Consultar al distribuidor o un técnico experto en radio/televisión para que le ayude.

PRECAUCIÓN: Según FCC Parte 15, cambios o modificaciones a este equipo no aprobados expresamente por DEWALT podrían anular su potestad para operar este equipo.

Lea todas las Instrucciones

ADVERTENCIAS E INSTRUCCIONES GENERALES DE SEGURIDAD

⚠ ADVERTENCIA – Riesgo de incendio, descarga eléctrica, peligro de explosión o lesiones personales: al utilizar aparatos

eléctricos, siga siempre las precauciones básicas, incluyendo las siguiente:

- ¡El LED se CALIENTA rápidamente!
- No toque el LED en ningún momento durante su funcionamiento.
- Solo toque el interruptor al encender.
- No toque la lente ni la carcasa si están calientes.
- No permanezca bajo la luz si siente la piel caliente.
- No utilice el reflector si la lente o la carcasa están dañadas o faltan.

⚠ ADVERTENCIA – AL UTILIZAR APARATOS ELÉCTRICOS, siga siempre las precauciones básicas, incluyendo las siguientes:

- El reflector y el cable USB de carga suministrado no son juguetes y no deben usarse como tales. Para reducir el riesgo de lesiones, se requiere supervisión cercana cuando estos dispositivos se utilicen cerca de niños.

⚠ ADVERTENCIA – PARA REDUCIR EL RIESGO DE DESCARGA ELÉCTRICA:

- No sumerja el reflector en agua ni en ningún otro líquido. No lo coloque ni almacene en lugares donde pueda caer o ser arrastrado al agua o mojarse.
- Cargue únicamente en interiores. No exponga el cable de carga al agua ni a ningún otro líquido.
- No limpie este aparato con rociadores de agua ni similares.
- Utilice únicamente el cable de carga suministrado por el fabricante para cargar y recargar.

⚠ ADVERTENCIA – PELIGRO DE INCENDIO: Nunca permita que la lente ni el disipador de calor entren en contacto con material combustible.

⚠ PRECAUCIÓN: PARA REDUCIR EL RIESGO DE LESIONES O DAÑOS MATERIALES:

- Todas las luces emiten calor:
 - No toque la lente durante el funcionamiento.
 - Mantenga los materiales combustibles alejados de la lente del reflector. El calor extremo puede provocar incendios.

- Nunca coloque la luz boca abajo sobre ninguna superficie cuando esté encendida, cargándose o no esté en uso. Nunca almacene la luz con la lente hacia abajo.

INSTRUCCIONES DE SEGURIDAD ESPECÍFICAS PARA BATERÍAS DE LITIO

⚠ **ADVERTENCIA** – Para reducir el riesgo de incendio, descarga eléctrica, peligro de explosión o lesiones personales o materiales:

Las baterías de litio son pequeñas, compactas e ideales para proporcionar energía de larga duración a esta unidad. Sin embargo, deben usarse y cargarse correctamente. El uso inadecuado puede provocar lesiones graves, incendios o la muerte.

- Las baterías de litio pueden explotar en presencia de una fuente de ignición. No utilice el producto cerca de una llama abierta.
- No coloque esta unidad alimentada por baterías de litio en el fuego ni le aplique calor.
- No someta esta unidad alimentada por baterías de litio a impactos o sacudidas fuertes. La batería de esta unidad contiene dispositivos de seguridad y protección que, si se dañan, pueden provocar que se caliente, se rompa o se incendie.
- No exponga esta unidad alimentada por baterías de litio al agua ni al agua salada, ni permita que se moje.
- Evite guardar esta unidad alimentada por baterías de litio en el sótano, el baño u otras áreas de la casa que estén o puedan estar mojadas o húmedas, o donde pueda acumularse humedad.
- No deje esta unidad alimentada por baterías de litio expuesta a la luz solar directa, ni la utilice ni la guarde dentro de automóviles en climas cálidos. Hacerlo puede provocar que la batería se caliente, se rompa o se incendie. Usar la batería de esta manera también puede reducir su rendimiento y su vida útil.
- Nunca cargue esta unidad cerca de calor u objetos inflamables.
- **¡NUNCA ARROJE AGUA SOBRE UNA BATERÍA DE LITIO EN LLAMAS!**

- Si una batería de litio se incendia, arderá aún más violentamente si entra en contacto con agua o incluso con la humedad del aire. Se debe utilizar un extintor.

CARGA Y CAPACIDAD DE LA BATERÍA

Esta unidad se entrega parcialmente cargada– debe cargarla completamente antes de usarla por primera vez.

Al almacenarse a temperatura ambiente con la carga completa, las baterías de litio comenzarán a descargarse desde el momento de su fabricación, incluso sin usar.

Las descargas profundas también reducen su capacidad.

La vida útil de la batería se puede prolongar de la siguiente manera:

- Cargue la batería a su capacidad máxima antes de guardarla.
- Guarde esta unidad a una temperatura de entre 5°C y 20°C (41°F y 68°F).
- Nunca descargue completamente la batería.
- Cargue después de cada uso.
- Cargue siempre al menos una vez cada 3 a 6 meses si no se usa con frecuencia para evitar una descarga excesiva.

Transporte de Baterías de Litio

- Consulte siempre todas las normativas locales, nacionales e internacionales aplicables antes de transportar una unidad que contenga una batería de litio.
- El transporte de una batería al final de su vida útil, dañada o retirada del mercado puede, en ciertos casos, estar específicamente limitado o prohibido.

INSTRUCCIONES RELATIVAS AL PUERTO USB

IMPORTANTE: Algunos dispositivos electrónicos domésticos alimentados por USB no funcionan con el puerto USB incluido con esta unidad. Consulte el manual de los dispositivos electrónicos correspondientes (incluidos teléfonos, tabletas, etc.) para confirmar que se pueden usar con este tipo de puerto USB.

- Los puertos USB no admiten la comunicación de datos. Solo suministran alimentación a un dispositivo externo alimentado por USB, como se indica a continuación:
 - No utilice esta unidad para operar aparatos que requieran más de 20W de potencia de salida (PD).
 - Asegúrese de que la potencia nominal de los equipos conectados al puerto USB no supere la potencia máxima indicada.
- No conecte concentradores USB que permitan conectar varios dispositivos electrónicos personales al puerto USB.
- No inserte objetos extraños en el puerto USB.

GUARDA ESTAS INSTRUCCIONES PARA USO FUTURO

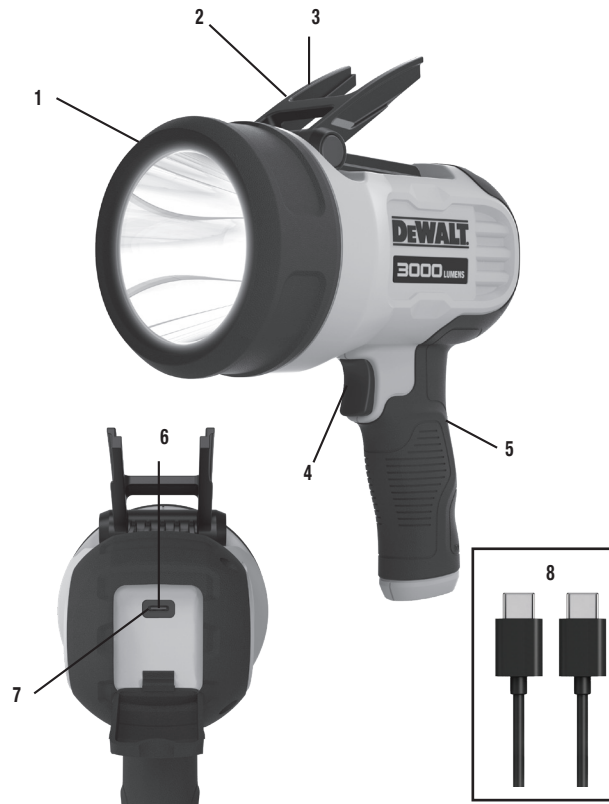
INTRODUCCIÓN

Felicitaciones por la compra de su nuevo Reflector LED de Litio. Lea este manual de instrucciones y siga las instrucciones cuidadosamente antes de usar esta unidad.

CARACTERÍSTICAS

1. Bezel
2. Disipador de calor (ubicado debajo del Soporte plegable)
3. Soporte plegable
4. Disparador de encendido/apagado
5. Mango tipo pistola
6. Puerto USB
7. Indicador LED del estado de la batería/de la carga (alrededor del Puerto USB)
8. Cable de carga USB

Características



Lectura del Indicador LED de Estado de Batería/Carga

El Indicador LED de Estado de Batería/Carga es un anillo translúcido alrededor del puerto USB, en la parte posterior de la unidad. Se ilumina o parpadea en tres colores para indicar lo siguiente:

Durante la Carga:

Azul: La batería está completamente cargada.

Azul (parpadeando): La batería está en un estado de carga parcial alta.

Violeta (intermitente): La batería está en un estado de carga parcial baja.

Rojo (intermitente): La batería necesita recargarse.

Rojo (intermitente rápido): La batería de la unidad está sobrecalentada (debido a un uso prolongado o en recarga) o demasiado fría (la temperatura ambiente ha bajado de 0°C). El proceso de carga se detendrá en este punto y se reanudará automáticamente tras un periodo de enfriamiento o calentamiento.

Durante el funcionamiento (una vez encendida la luz o conectado el dispositivo USB al puerto USB):

Azul: La batería está funcionando con voltaje completo.

Violeta: La batería está funcionando con voltaje parcial.

Rojo: La batería está funcionando con voltaje bajo y debe recargarse; de lo contrario, se activará la protección integrada de bajo voltaje y la unidad se apagará automáticamente en poco tiempo.

Rojo (intermitente rápido): La batería de la unidad está sobrecalentada (debido a un uso prolongado o en recarga) o demasiado fría (la temperatura ambiente ha bajado por debajo de -20°C). Para evitar daños, apague la unidad y deje que se enfríe o alcance la temperatura normal de funcionamiento antes de volver a usarla.

Carga / Recarga

Esta unidad se envía parcialmente cargada. Cargue la unidad después de la compra, antes del primer uso y después de cada uso posterior hasta que el Indicador LED de Estado de Batería/Carga se ilumine en azul.

La unidad puede funcionar en el ajuste bajo mientras se carga.

IMPORTANTE:

1. Cuando la unidad no esté en uso, recomendamos cargar la batería al menos cada 3 a 6 meses.
2. Recargar la batería después de cada uso prolongará su vida útil; las descargas intensas frecuentes entre recargas o la sobrecarga la reducirán.
3. Asegúrese de que todas las demás funciones de la unidad estén desactivadas durante la recarga, ya que esto puede ralentizar el proceso.

⚠ ADVERTENCIA – Cargue el producto únicamente con un adaptador de corriente USB de Clase 2 homologado que cumpla con las normativas nacionales y las normas de seguridad internacionales/regionales aplicables. El uso de adaptadores que no cumplan con las normas de seguridad aplicables podría provocar lesiones.

⚠ PRECAUCIÓN – PARA REDUCIR EL RIESGO DE LESIONES O DAÑOS MATERIALES:

- Nunca coloque la luz con la lente hacia abajo mientras se carga.
- Si no se mantiene la batería cargada, se producirán daños permanentes y un rendimiento deficiente.

CARGA/RECARGA USANDO EL CABLE USB Y UN DISPOSITIVO CON PUERTO DE ALIMENTACIÓN USB (NO INCLUIDO)

1. Asegúrese de que el Interruptor de Encendido/Apagado esté apagado.
2. Inserte un extremo del Cable de Carga USB en el Puerto de Alimentación USB de un dispositivo externo.

3. Levante la tapa protectora del Puerto USB (consulte la sección “Características” para localizarla). Inserte el otro extremo del Cable de Carga USB en el Puerto USB de la unidad. El Indicador LED de Estado de Batería/Carga se iluminará o parpadeará en uno de los tres colores (como se describe en la sección “Lectura del Indicador LED de Estado de Batería/Carga”) para indicar el estado de carga.
4. Cargue hasta que el Indicador LED de Estado de Batería/Carga se ilumine en azul.
5. Una vez completada la carga, desconecte el Cable de Carga USB del Puerto USB del dispositivo y de la luz. Guarde el cable en un lugar seguro.

Funcionamiento del Reflector

IMPORTANTE: Si el voltaje de la batería de la luz está casi bajo, la unidad cambiará automáticamente al modo de luz Baja, incluso si se ha seleccionado el modo de luz Alta.

Si el voltaje de la batería de la luz es bajo, la protección integrada de bajo voltaje se activará tras un breve periodo de funcionamiento y la unidad se apagará automáticamente. Recargue la batería antes de continuar usándola. El Interruptor de Encendido/Apagado enciende y apaga la unidad, y también se utiliza para seleccionar ajuste de brillo alto/bajo o modo intermitente.

Desconecte el cable de carga y seleccione el modo de luz de la siguiente manera:

- Presione el Interruptor de Encendido/Apagado una vez para usar el reflector en su configuración más baja (tenue).
- Presione el Interruptor de Encendido/Apagado por segunda vez para usar el reflector en su configuración más alta (la más brillante).
- Presione el Interruptor de Encendido/Apagado una tercera vez para usar el reflector en modo intermitente.
- Presione el Interruptor de Encendido/Apagado una cuarta vez para apagar la unidad.

O

- Presione el interruptor de Encendido/Apagado para usar el reflector en su configuración baja o configuración alta.
- Presione el Interruptor de Encendido/Apagado nuevamente después de 5 segundos para apagar la unidad.

Nota: El Indicador LED de Estado de Batería/Carga se iluminará en uno de los tres colores (como se describe en la sección “Lectura del Indicador LED de Estado de Batería/Carga”) para indicar el estado de la batería.

USO DEL SOPORTE ABATIBLE

Levante el soporte abatible, invierta la unidad y colóquela sobre una superficie plana y estable para operarla en modo manos libres.

Uso del Puerto USB

IMPORTANTE: El puerto USB de la luz proporciona una potencia de salida (PD) de hasta 20W.

1. Desconecte el Cable de Carga y asegúrese de que la luz esté apagada.
2. Conecte un dispositivo alimentado por USB-C al puerto USB de la unidad.
3. El Indicador LED de Estado de Batería/Carga se iluminará en uno de los tres colores (como se describe en la sección “Lectura del Indicador LED de Estado de Batería/Carga”) para indicar el estado de la batería.
4. Utilice el dispositivo alimentado por USB normalmente.
5. Desconecte el dispositivo USB del Puerto USB de la unidad. La unidad se apagará automáticamente.

CONDICIONES DE FALLA DEL PUERTO USB

Cuando el Puerto USB está en uso, la unidad monitoreará las siguientes condiciones de falla:

- Si se produce una falla por bajo voltaje de batería, el Puerto USB se apagará automáticamente.
- Si se produce una sobrecarga o un cortocircuito, el Puerto USB se apagará automáticamente de inmediato.
- Si la batería de la unidad se sobrecalienta o está demasiado fría, el Puerto USB se apagará automáticamente.

En cualquiera de estos casos, desconecte inmediatamente el dispositivo alimentado por USB.

- Asegúrese de que no sea necesario recargar la unidad.
- Deje que la unidad se enfríe durante varios minutos antes de volver a usar el Puerto USB.
- Si vuelve a producirse una falla, asegúrese de que el consumo del dispositivo USB conectado al Puerto USB no supere la capacidad máxima.
- Si un dispositivo USB cumple las especificaciones y se produce la falla, haga revisar el dispositivo USB por mal funcionamiento y no lo siga usando con este Puerto USB.

Notas: El Puerto USB de esta unidad no admite la comunicación de datos. Solo suministra alimentación a un dispositivo externo alimentado por USB.

Es posible que algunos dispositivos electrónicos domésticos alimentados por USB no funcionen con el puerto USB de esta unidad. Consulte el manual del dispositivo electrónico correspondiente (incluidos teléfonos móviles, tabletas, etc.) para confirmar que sea compatible con el tipo de Puerto USB de esta unidad.

Cuidado y mantenimiento

⚠ ADVERTENCIA –a de cualquier fuente de alimentación antes de instalar y quitar accesorios, antes de realizar ajustes o al realizar mantenimiento. Un arranque accidental puede provocar lesiones.

Nunca sumerja esta unidad en agua. La suciedad y la grasa se pueden eliminar del exterior de la unidad con un paño o un cepillo suave no metálico. Nunca permita que ningún líquido entre en el interior de la unidad; Nunca sumerja ninguna parte de la unidad en un líquido.

⚠ ADVERTENCIA – No hay piezas reemplazables por el usuario. Inspeccione periódicamente el estado de adaptadores, conectores y cables. No utilice esta unidad si está dañada de alguna manera.

LA BATERÍA INTERNA

Todas las baterías pierden energía por autodescarga con el tiempo y más rápidamente a temperaturas más altas. Cuando la unidad no esté en uso, recomendamos que la batería se cargue al menos cada 3-6 meses.

CAMBIO DE BATERÍA

La batería debe durar toda la vida útil de la unidad. La vida útil depende de una serie de factores que incluyen, entre otros, el número de ciclos de recarga y el cuidado y mantenimiento adecuados de la batería por parte del usuario final. Póngase en contacto con el fabricante para cualquier información que pueda necesitar.

ELIMINACIÓN SEGURA DE LA BATERÍA



Contiene una batería de litio que debe desecharse adecuadamente. Se requiere reciclaje. El incumplimiento de las regulaciones locales, estatales y federales puede resultar en multas o prisión.

Por favor recicla.

⚠ ADVERTENCIA – Para reducir el riesgo de lesiones graves o daños a la propiedad:

- No arroje la batería al fuego, ya que esto podría provocar una explosión.
- Antes de desechar la batería, proteja los terminales expuestos con cinta aislante resistente para evitar cortocircuitos (los cortocircuitos pueden provocar lesiones o incendios).
- No exponga la batería al fuego o al calor intenso, ya que puede explotar.

Solución de problemas

Problema	Posible solución
La unidad no se carga	Compruebe que todas las funciones de la unidad estén apagadas.
	Verifique que el cable de carga USB esté correctamente conectado a la fuente de carga y a la unidad.
	Verifique la conexión a la fuente de alimentación. Asegúrese de que haya un buen contacto.
	Confirme que haya una fuente de energía funcionando.
	Es posible que la unidad se haya apagado para proteger la batería contra el sobrecalentamiento después de un largo período de funcionamiento o carga, o que esté demasiado fría (la temperatura ambiente esté por debajo de 0°C). Desconecte el cable de carga USB de la unidad y de la fuente de alimentación. Deje que la unidad se enfríe o se caliente durante un período antes de reanudar la carga.
El reflector no funciona	Asegúrese de haber presionado el gatillo de encendido/apagado para encender el reflector.
	La batería interna puede estar completamente descargada. Cargue la unidad siguiendo las instrucciones de este manual.
	Si la temperatura ambiente es demasiado alta o demasiado baja, el reflector no funcionará.

Problema	Posible solución
El puerto USB no funcionará	Asegúrese de que un dispositivo de alimentación USB-C esté conectado al puerto de alimentación.
	Existe una condición de falla en uno de los puertos USB. Consulte las Condiciones de falla de los puertos USB en la sección "OPERACION DE LOS PUERTOS USB" para solucionar cualquier falla.
	Asegúrese de que los dispositivos USB conectados a los puertos USB no excedan la clasificación máxima.
	La batería de la unidad puede sobre calentarse o estar demasiado fría. Deje que la unidad se enfríe o se caliente antes de reanudar el funcionamiento.
	Algunos aparatos electrónicos domésticos alimentados por USB no funcionarán con estos puertos de carga/alimentación USB. Consulte el manual del dispositivo electrónico correspondiente para confirmar que se puede utilizar con este tipo de puerto de carga/alimentación USB.
	La batería interna puede estar completamente descargada. Cargue la unidad siguiendo las instrucciones de este manual.

Accesorios

⚠️ ADVERTENCIA: Dado que con este producto no se han probado accesorios distintos a los ofrecidos por DeWALT, el uso de dichos accesorios con esta unidad podría ser peligroso. Para reducir el riesgo de lesiones, con este producto solo se deben utilizar accesorios recomendados por DeWALT. Si necesita ayuda con

respecto a los accesorios, comuníquese con el fabricante al 1-888-394-3392 o CustomerService@dewalt12volt.com.

Asistencia Técnica

Para servicio al cliente o asistencia técnica, comuníquese con el fabricante al 1-888-394-3392 o CustomerService@dewalt12volt.com

Garantía Limitada del Fabricante por Un Año

El fabricante, Baccus Global LLC, garantiza este producto contra defectos de materiales y mano de obra por un período de UN (1) AÑO a partir de la fecha de compra minorista por parte del comprador usuario final original o desde la fecha de entrega del bien, cualquiera que sea la fecha de compra que ocurra más tarde (“Período de Garantía”).

Si hay un defecto y el fabricante recibe un reclamo válido dentro del Período de Garantía, el producto defectuoso se puede reemplazar de las siguientes maneras: (1) Devolver el producto al fabricante para su reemplazo. Es posible que el fabricante solicite un comprobante de compra. (2) Devolver el producto al minorista donde lo compró para un cambio (siempre que la tienda sea un minorista participante). Las devoluciones al minorista deben realizarse únicamente dentro del período de tiempo de la política de devolución del minorista para cambios. Es posible que se requiera prueba de compra. Consulte con el minorista su política de devolución específica con respecto a las devoluciones que superan el tiempo establecido para los cambios. La garantía de este fabricante no se aplica a accesorios, bombillas, fusibles y baterías; defectos resultantes del desgaste normal, accidentes; daños sufridos durante el envío; alteraciones; uso no autorizado; negligencia, mal uso, abuso; y no seguir las instrucciones de cuidado y mantenimiento del producto.

Esta garantía del fabricante le otorga a usted, el comprador minorista original, derechos legales específicos y usted puede tener otros derechos que varían de un estado a otro o de una provincia a otra.

Este producto no está diseñado para uso comercial. Para registrar su producto con el fabricante, visite www.BaccusGlobal.com. Las fotografías de este manual pueden diferir de la unidad real.

Especificaciones

Bombilla:	LED
Batería:	Litio, 7.4V DC
Entrada:	5VDC 3A / 9VDC 2.2A / 12VDC 1.66A / 15VDC 1.33A (PD 20W) MAX.
Salida USB:	5VDC 3A / 9VDC 2.2A / 12VDC 1.66A / 15VDC 1.33A (PD 20W) MAX.

Importado por Baccus Global, LLC,
225 NE Mizner Blvd., Suite 301
Boca Raton, FL 33432

www.dewalt12volt.com 1-888-394-3392
Hecho en Vietnam

Copyright © 2026 Baccus Global, LLC.

DeWALT® y el logotipo de DeWALT son marcas comerciales de DeWALT Industrial Tool Co., o una de sus filiales, y se utilizan bajo licencia. El esquema de color amarillo/negro es una marca registrada de las herramientas y accesorios eléctricos DeWALT.

RD051926